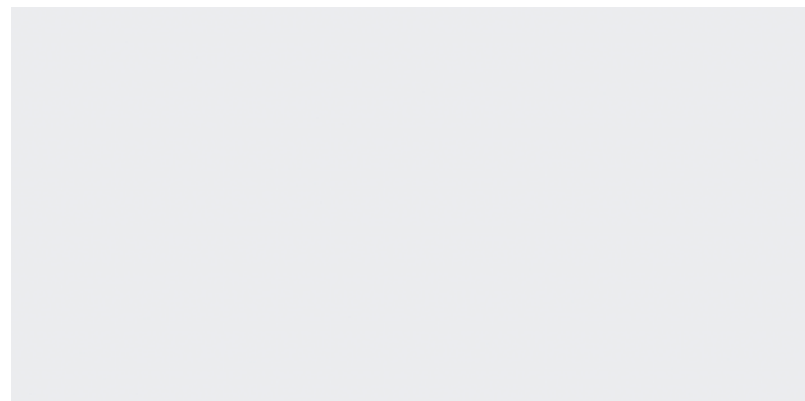


## TECHNIC

Gres Porcellanato Rectificado · Color Masa / Rectified Porcellanato Tiles · Coloured Biscuit



### TECHNIC NIEVE

59,6x120x1,2cm

P1976817 / 100153392

G369 HIGHKER

Butech recomienda junta / Butech recommends joint: Colorstuk Rapid n Blanco B21522247/100236463

\*USO EXCLUSIVO PARA FACHADAS

\*FACADES USE ONLY

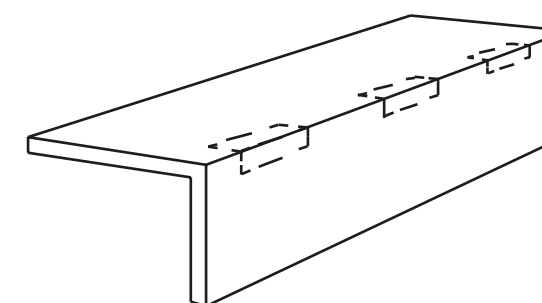
GRUPO DE VENTA MALLA STONKER 31,6x31,6 ( ESPECIAL ZONAS AGUA ) G396

SALES GROUP STONKER MESH 31,6x31,6 (SPECIAL WATER ZONES) G396

### GRUPOS DE VENTA FACHADAS / FACADE PRICE GROUP

| FORMATO / SIZE |                          | FORMATO / SIZE |                         |
|----------------|--------------------------|----------------|-------------------------|
| G415           | 43,5x65,9 rn4            | G432           | 45x90 rn4               |
| G435           | 43,5x65,9 mll            | G458           | 45x90 mll               |
| G446           | 43,5x65,9 mll + rn4      | G473           | 45x90 mll + rn4         |
| G420           | 59,6x59,6 rn4            | G483           | 19,3x120 rn4 / 19,3xmll |
| G440           | 59,6x59,6 mll            | G490           | 19,3x120 rn6            |
| G455           | 59,6x59,6 mll+rn4        | G494           | 19,3x120 mll + rn6      |
| G462           | 59,6x120 rn4             |                |                         |
| G467           | 59,6x120 rn6             |                |                         |
| G479           | 59,6x120 mll / 80x80 mll |                |                         |
| G484           | 59,6x120 mll + rn4 ver   |                |                         |
| G488           | 59,6x120 mll + rn6 hor   |                |                         |

### DETALLE HUELLA CON REFUERZO METÁLICO



"la H.T. Refuerzo Metálico puede fabricarse a la medida solicitada por el cliente, siempre y cuando no supere los límites longitudinales de la pieza base".

"the H.T. Metal Reinforcement can be made to order as requested by the customer, as long as it does not exceed the longitudinal limits of the base part".