



113

114

# Mystic 4D

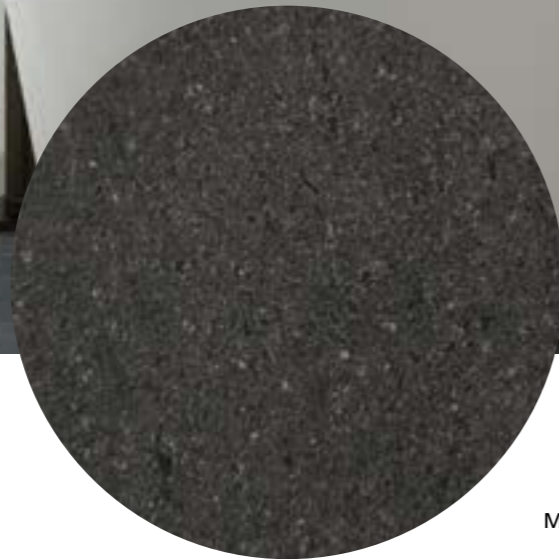
Porcelain tiles

Mystic Sand\_100\*100 NT Mystic Sand\_100\*100 BH



# Mystic 4D

Porcelain tiles



Mystic Anthracite\_100\*100 BHA



Mystic Sand\_50\*100 NT Mystic Sand\_24\*100 NT Mystic Sand\_15,5\*100 NT

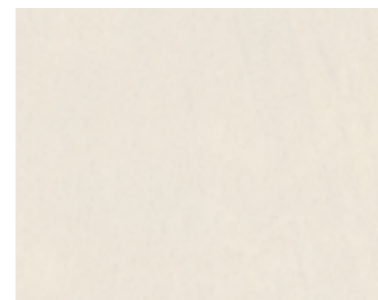
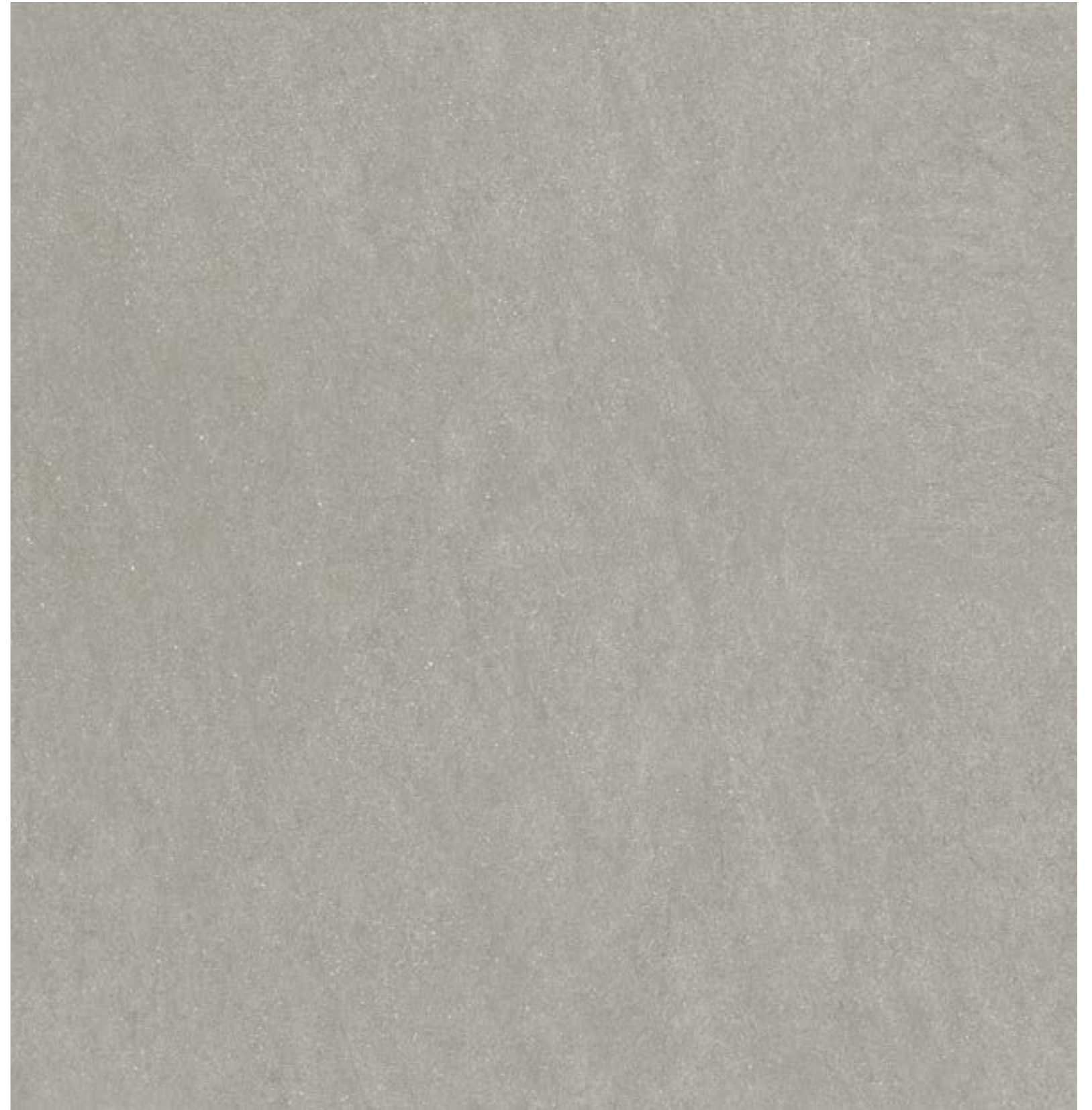




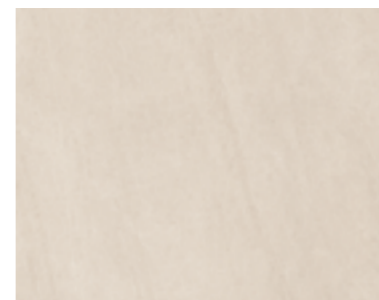
Mystic White\_100\*100 BH

# Mystic 4D

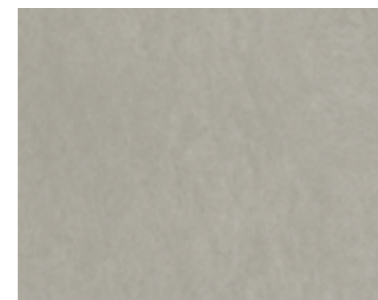
Porcelain tiles



MYSTIC White



MYSTIC Sand



MYSTIC Grey



MYSTIC Anthracite



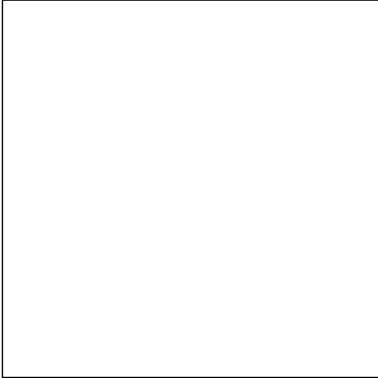
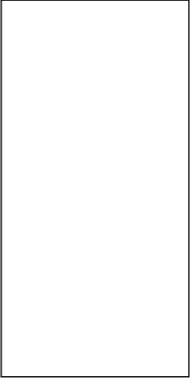


# Mystic 4D

Porcelain tiles

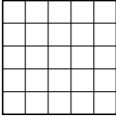


8 mm - 5/16"  
THICKNESS

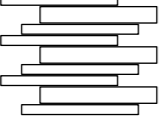
## MYSTIC

																																																															
12 patterns	24 patterns	48 patterns	72 patterns																																																												
100 * 100 * 0,8 cm   39 * 39"	50 * 100 * 0,8 cm   20 * 39"	24 * 100 * 0,8 cm   10 * 39"	15,5 * 100 * 0,8 cm   6 * 39"																																																												
<table border="1"> <tr><th>RECTIFIED</th><th>NATURAL BN94</th><th>BUSH HAMMERED BN94</th><th>ANTISLIP BUSH HAMMERED BN99</th></tr> <tr><td>WHITE</td><td>25394</td><td>25391</td><td>25390</td></tr> <tr><td>SAND</td><td>24340</td><td>24344</td><td>24355</td></tr> <tr><td>GREY</td><td>24342</td><td>24346</td><td>24354</td></tr> <tr><td>ANTHRACITE</td><td>24339</td><td>24345</td><td>24353</td></tr> </table>	RECTIFIED	NATURAL BN94	BUSH HAMMERED BN94	ANTISLIP BUSH HAMMERED BN99	WHITE	25394	25391	25390	SAND	24340	24344	24355	GREY	24342	24346	24354	ANTHRACITE	24339	24345	24353	<table border="1"> <tr><th>RECTIFIED</th><th>NATURAL BN96</th></tr> <tr><td>WHITE</td><td>25397</td></tr> <tr><td>SAND</td><td>24359</td></tr> <tr><td>GREY</td><td>24358</td></tr> <tr><td>ANTHRACITE</td><td>24357</td></tr> </table>	RECTIFIED	NATURAL BN96	WHITE	25397	SAND	24359	GREY	24358	ANTHRACITE	24357	<table border="1"> <tr><th>RECTIFIED</th><th>NATURAL BN109</th><th>BUSH HAMMERED BN109</th></tr> <tr><td>WHITE</td><td>25396</td><td>25393</td></tr> <tr><td>SAND</td><td>24592</td><td>24647</td></tr> <tr><td>GREY</td><td>24594</td><td>24643</td></tr> <tr><td>ANTHRACITE</td><td>24595</td><td>24641</td></tr> </table>	RECTIFIED	NATURAL BN109	BUSH HAMMERED BN109	WHITE	25396	25393	SAND	24592	24647	GREY	24594	24643	ANTHRACITE	24595	24641	<table border="1"> <tr><th>RECTIFIED</th><th>NATURAL BN108</th><th>BUSH HAMMERED BN108</th></tr> <tr><td>WHITE</td><td>25395</td><td>25392</td></tr> <tr><td>SAND</td><td>24597</td><td>24655</td></tr> <tr><td>GREY</td><td>24598</td><td>24651</td></tr> <tr><td>ANTHRACITE</td><td>24596</td><td>24649</td></tr> </table>	RECTIFIED	NATURAL BN108	BUSH HAMMERED BN108	WHITE	25395	25392	SAND	24597	24655	GREY	24598	24651	ANTHRACITE	24596	24649
RECTIFIED	NATURAL BN94	BUSH HAMMERED BN94	ANTISLIP BUSH HAMMERED BN99																																																												
WHITE	25394	25391	25390																																																												
SAND	24340	24344	24355																																																												
GREY	24342	24346	24354																																																												
ANTHRACITE	24339	24345	24353																																																												
RECTIFIED	NATURAL BN96																																																														
WHITE	25397																																																														
SAND	24359																																																														
GREY	24358																																																														
ANTHRACITE	24357																																																														
RECTIFIED	NATURAL BN109	BUSH HAMMERED BN109																																																													
WHITE	25396	25393																																																													
SAND	24592	24647																																																													
GREY	24594	24643																																																													
ANTHRACITE	24595	24641																																																													
RECTIFIED	NATURAL BN108	BUSH HAMMERED BN108																																																													
WHITE	25395	25392																																																													
SAND	24597	24655																																																													
GREY	24598	24651																																																													
ANTHRACITE	24596	24649																																																													

## D. MYSTIC MOSAIC

										
25 * 25 cm   10 * 10"										
<table border="1"> <tr><th>NO RECTIFIED</th><th>NATURAL P39</th></tr> <tr><td>WHITE</td><td>25428</td></tr> <tr><td>SAND</td><td>24479</td></tr> <tr><td>GREY</td><td>24477</td></tr> <tr><td>ANTHRACITE</td><td>24476</td></tr> </table>	NO RECTIFIED	NATURAL P39	WHITE	25428	SAND	24479	GREY	24477	ANTHRACITE	24476
NO RECTIFIED	NATURAL P39									
WHITE	25428									
SAND	24479									
GREY	24477									
ANTHRACITE	24476									

## D. MYSTIC BRICK

										
29,8 * 29,2 cm   12 * 12"										
<table border="1"> <tr><th>NO RECTIFIED</th><th>NATURAL P50</th></tr> <tr><td>white</td><td>25427</td></tr> <tr><td>SAND</td><td>24461</td></tr> <tr><td>GREY</td><td>24459</td></tr> <tr><td>ANTHRACITE</td><td>24458</td></tr> </table>	NO RECTIFIED	NATURAL P50	white	25427	SAND	24461	GREY	24459	ANTHRACITE	24458
NO RECTIFIED	NATURAL P50									
white	25427									
SAND	24461									
GREY	24459									
ANTHRACITE	24458									



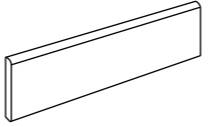
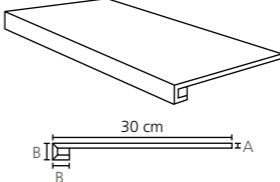
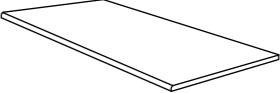

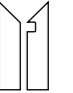
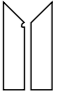
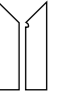
22303 ALUMINIO/100/MAT \_ 100 \* 0,5 cm | 39 \* 0,2" \_ P42

## EMBALAJE | PACKING

(Los pesos aquí reflejados pueden sufrir ligeras variaciones en función del lote de producción. Weights shown here may slightly vary depending on the production lot.)

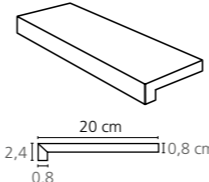
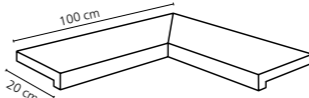
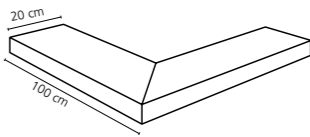
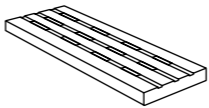
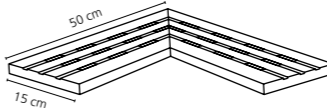

Formato   Sizes	Cajas   Boxes			Pallet				Cont./20' 21500 kg	Cont./20' 24000 kg
cm	Piezas	m <sup>2</sup> /sq.m	kg	Cajas	m <sup>2</sup> /sq.m	kg	Tamaño cm aprox.	m <sup>2</sup> /sq.m	m <sup>2</sup> /sq.m
100 * 100 * 08	2	2	37	32	64	1226	112 * 112 * 64	1122,35	1252,85
50 * 100 * 0,8	3	1,50	28,20	24	36	719	120 * 80 * 66	1076,50	1201,67
24 * 100 * 0,8	4	0,96	17,7	40	38,4	731,8	120 * 80 * 63	1128,18	1259,36
15,5 * 100 * 0,8	8	1,24	22,9	32	39,68	774,6	112 * 112 * 56	1101,27	1229,32
inch	units	ft <sup>2</sup>	lb	Boxes	ft <sup>2</sup>	lb	Sizes Inch approx.	ft <sup>2</sup>	ft <sup>2</sup>
39 3/8 * 39 3/8 * 5/16	2	21,53	81,59	32	688,90	2703,33	44 1/16 * 44 1/16 * 25 3/16	12080,97	13485,73
19 11/16 * 39 3/8 * 5/16	3	16,15	62,18	24	387,50	1585,40	47 1/4 * 31 1/2 * 26	11587,39	12934,76
9 7/16 * 39 3/8 * 5/16	4	10,33	39,02	40	413,33	1613,62	47 1/4 * 44 1/16 * 24 13/16	12143,59	13555,63
6 1/8 * 39 3/8 * 5/16	8	13,34	50,48	32	427,11	1708,15	44 1/16 * 44 1/16 * 22 1/16	11853,92	13232,28

## PIEZA COMPLEMENTARIA | COMPLEMENTARY PIECE










Rodapie - Skirting	Peldaño técnico - Technical stair - thread	Peldaño romo - Rounded stair - thread	*S.K.I.	*S.K.D.	*Z.R.I.	*Z.R.D.
						
8 * 100 cm   4 * 39" P45	30 * 100 cm   12 * 39" P74 A= 0,8 cm B= 2,4 cm	30 * 100 cm   12 * 39" P85	8 * 30 cm   4 * 12" P53			

## PIEZA ESPECIAL PISCINA | SPECIAL PIECE POOL

\*Pedido mínimo 10 unidades | Minimum order 10 items

Peldaño Vierendeague   Pool Coping	Peldaño vierendeague angulo   Pool Coping internal corner	Peldaño vierendeague esquina   Pool Coping external corner
		
20 * 100 cm   8 * 39" P82	20 * 100 cm   39 * 39" (PACK 2 units)	20 * 100 cm   39 * 39" (PACK 2 units)
Rejilla   Drainage grate	Angulo rejilla   Angle corner drainage grate	Taco rejilla   Square corner drainage grate
		
15 * 50 * 1,6 cm   6 * 20" P87	15 * 50 * 1,6 cm   20 * 20" (PACK 2 units)	15 * 15 * 1,6 cm   6 * 6" P66

## CARACTERÍSTICAS TÉCNICAS | TECHNICAL CHARACTERISTICS

joint	frost proof	versatile	matt	full body	diferent shades	shade variation	various graphics	thickness
								

## CARACTERÍSTICAS TÉCNICAS ANTIDESLIZAMIENTO | ANTI-SLIP CHARACTERISTICS

Ensayo   Essay	Características   Features	Resultado   Result		
		NATURAL	BUSH HAMMERED	ANTISLIP BUSH HAMMERED
DIN 51130	Ángulo crítico (Pies calzados)   Critical angle (footwear)	R9	R10	R12
DIN 51097	Ángulo crítico (Pies descalzos)   Critical angle (Wet loaded barefoot)	A	A+B	A+B+C
BS 7976-2	Antideslizamiento (Test del péndulo)   Slip resistance (Pendulum test-PTV)	-	+36 Wet	+36 Wet
UNE-ENV 12633	Antideslizamiento (Test del péndulo)   Slip resistance (Pendulum test)	Class 1	Class 2	Class 3
ANSI A137.1	Coefficiente de Fricción Dinámico   Dynamic Coefficient of Friction (DCOF)	>0,42	>0,42	>0,42
ISO 10545-6	Resistencia a la abrasion profunda/ Resistance to Deep Abrasion	< 175 mm^3	< 175 mm^3	< 175 mm^3