

Ground

Porcelain tiles





GROUND | GROUND SILVER 60 * 60 antislip polished _ GROUND SILVER 30 * 60 soft _ GROUND SILVER 9,9 * 60 soft _
D. GROUND SPAC SILVER _ P. GROUND SILVER



GROUND | GROUND GREY 90 * 90 antislip polished



GROUND | GROUND GREY 90 * 90 soft _ GROUND SILVER 60 * 60 soft _ MILA COLD soft

Ground

Porcelain tiles



GROUND Bone



GROUND Grey



GROUND Silver

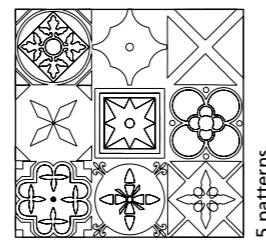


MILA Warm



MILA Cold

MILA

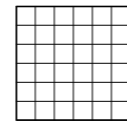


5 patterns

60 * 60 * 1 cm | 23 5/8 * 23 5/8 * 3/8"

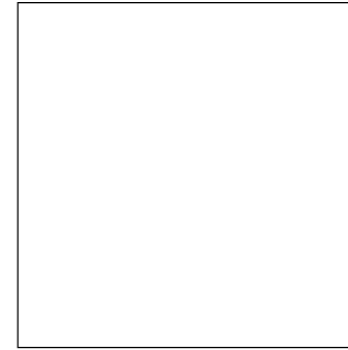
RECTIFIED	SOFT PRICE CODE BN40	ANTISLIP POLISHED PRICE CODE BN83
WARM	24953	24951
COLD	24952	24950

D. MILA MOSAIC



30 * 30 cm | 11 13/16 * 11 13/16"

NO RECTIFIED	SOFT PRICE CODE P37
WARM	23441
COLD	23442



9 patterns

90 * 90 * 1 cm | 35 7/16 * 35 7/16 * 3/8"

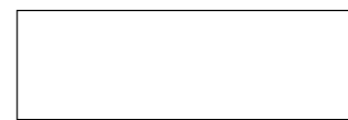
RECTIFIED	SOFT PRICE CODE BN48	ANTISLIP POLISHED PRICE CODE BN42	ANTISLIP POLISHED PRICE CODE BN90
BONE	24944	24947	24973
GREY	24792	24948	24974
SILVER	24945	24949	24975



18 patterns

45 * 90 * 1 cm | 17 3/4 * 35 7/16 * 3/8"

RECTIFIED	SOFT PRICE CODE BN70	ANTISLIP POLISHED PRICE CODE BN43
BONE	24930	24928
GREY	24931	24905
SILVER	24932	24929



27 patterns

29 * 90 * 1 cm | 11 7/16 * 35 7/16 * 3/8"

RECTIFIED	SOFT PRICE CODE BN114	ANTISLIP POLISHED PRICE CODE BN115
BONE	24920	24918
GREY	24921	24901
SILVER	24922	24919



30 patterns

60 * 60 * 1 cm | 23 5/8 * 23 5/8 * 3/8"

RECTIFIED	SOFT PRICE CODE BN33	ANTISLIP POLISHED PRICE CODE BN38	ANTISLIP POLISHED PRICE CODE BN88
BONE	24936	24934	24979
GREY	24937	24906	24980
SILVER	24938	24935	24981

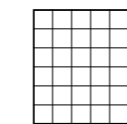


60 patterns

30 * 60 * 1 cm | 11 13/16 * 23 5/8 * 3/8"

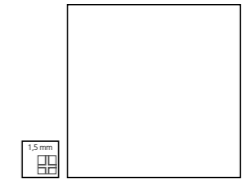
RECTIFIED	SOFT PRICE CODE BN39	ANTISLIP POLISHED PRICE CODE BN74	ANTISLIP POLISHED PRICE CODE BN107
BONE	24925	24923	24976
GREY	24926	24904	24977
SILVER	24927	24924	24978

D. GROUND MOSAIC



30 * 30 cm | 11 13/16 * 11 13/16"

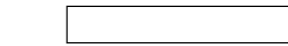
NO RECTIFIED	SOFT PRICE CODE P37
BONE	23435
GREY	23438
SILVER	23439



30 patterns

45,6 * 45,6 * 0,8 cm | 17 15/16 * 17 15/16 * 5/16"

NO RECTIFIED	SOFT PRICE CODE BN59
BONE	23770
GREY	23771
SILVER	23769

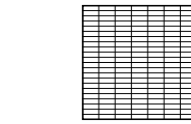


90 patterns

9,9 * 60 * 1 cm | 3 7/8 * 23 5/8 * 3/8"

RECTIFIED	SOFT PRICE CODE BN97	ANTISLIP POLISHED PRICE CODE BN98
BONE	24941	24939
GREY	24942	24907
SILVER	24943	24940

D. GROUND SPAC

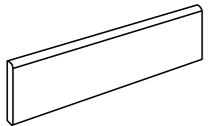
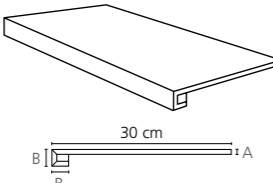
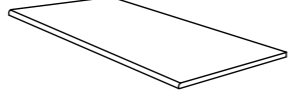



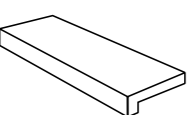
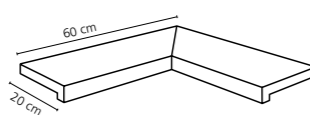
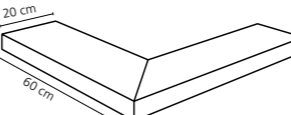
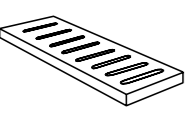
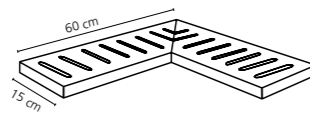

30 * 30 cm | 11 13/16 * 11 13/16"

NO RECTIFIED	SOFT PRICE CODE P58
BONE	23505
GREY	23506
SILVER	23507

Ground

Porcelain tiles

PIEZA COMPLEMENTARIA COMPLEMENTARY PIECE			
Rodapie - Skirting  R.	Peldaño técnico - Technical stair - thread  P.	Peldaño romo - Rounded stair - thread  R.P.	*S.K.I. *S.K.D. *Z.R.I. *Z.R.D. 
8 * 90/SF cm 3 1/8 * 35 7/16" P44 8 * 90/L cm 3 1/8 * 35 7/16" P44 8 * 60/L cm 3 1/8 * 23 5/8" P34 8 * 60 cm 3 1/8 * 23 5/8" P13 8 * 45,6 cm 3 1/8 * 17 15/16" P9	30 * 90 cm 11 13/16 * 35 7/16" P76 30 * 60 cm 11 13/16 * 23 7/8" P54 <i>A= 1 cm B= 3 cm A= 3/8" B= 1 3/16"</i>	30 * 90 cm 11 13/16 * 35 7/16" P61 30 * 60 cm 11 13/16 * 23 5/8" P64	8 * 30/SF cm 3 1/8 * 11 13/16" P55 8 * 30/L cm 3 1/8 * 11 13/16" P55 8 * 30 cm 3 1/8 * 11 13/16" P48

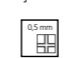







PIEZA ESPECIAL PISCINA SPECIAL PIECE POOL		
Peldaño Vierteagua Pool Coping  P.V.	Peldaño vierteagua angulo Pool Coping internal corner  ANG.P.V.	Peldaño vierteagua esquina Pool Coping external corner  E.P.V.
20 * 60 cm 7 7/8 * 23 5/8" P61	60 * 60 cm 23 5/8 * 23 5/8" P70 (PACK 2 units)	60 * 60 cm 23 5/8 * 23 5/8" P70 (PACK 2 units)
Rejilla Drainage grate  REJ.	Angulo rejilla Angle corner drainage grate  ANG.REJ.	Taco rejilla Square corner drainage grate  T.REJ.
15 * 60 * 2,2 cm 5 15/16 * 23 5/8 * 7/8" P54	60 * 60 * 2,2 cm 23 5/8 * 23 5/8 * 7/8" P75 (PACK 2 units)	15 * 15 * 2,2 cm 5 15/16 * 5 15/16 * 7/8" P85

CONSEJOS LIMPIEZA ANTISLIP POLISHED

Se recomienda la utilización de adhesivos cementosos tipo C2 y material de rejuntado en base cementosa tipo CG1 cuando no se requiera de impermeabilidad y tipo CG2WA cuando sí que sea requerida. Tras su colocación, se recomienda limpiar inmediatamente el material sobrante con la ayuda de una esponja y agua. No se recomienda la utilización de adhesivos ni material de rejuntado en base epoxi.

CLEANING TIPS FOR ANTISLIP POLISHED

A C2 cement-based adhesive should be used, together with a CG1 cementitious grout when no waterproofing is required or CG2WA grout when it is. After laying the tiles, clean away any surplus material immediately using a sponge and water. Do not use epoxy-based adhesives or grout.

CARACTERÍSTICAS TÉCNICAS TECHNICAL CHARACTERISTICS							
joint 	frost proof 	versatile 	matt 	full body 	diferent shades 	shade variation 	various graphics 

CARACTERÍSTICAS TÉCNICAS ANTIDESLIZAMIENTO ANTI-SLIP CHARACTERISTICS					
Ensayo Essay	Características Features	Resultado Result			
		SOFT	ANTISLIP POLISHED	ANTISLIP	
DIN 51130	Ángulo crítico (Pies calzados) Critical angle (footwear)	*R9	R10	R11	R12
DIN 51097	Ángulo crítico (Pies descalzos) Critical angle (Wet loaded barefoot)	*-	A+B	A+B+C	A+B+C
BS-7976-2	Antideslizamiento (Test del péndulo) Slip resistance (Pendulum test)	*-	+36 Wet	-	+36 Wet
UNE-ENV-12633	Antideslizamiento (Test del péndulo) Slip resistance (Pendulum test)	*Class 1	Class 2	Class 3	Class 3
ANSI A137.1	Coefficiente de Fricción Dinámico Dynamic Coefficient of Friction	*-	> 0,42 Wet	> 0,42 Wet	> 0,42 Wet
ISO 10545-6	Resistencia a la abrasión profunda/ Resistance to Deep Abrasion	< 175 mm ³		< 175 mm ³	< 175 mm ³

* solo en el formato: 45,6*45,6*0,8 cm | only format: 17 15/16" * 17 15/16" * 5/16"

EMBALAJE PACKING									
Formato Sizes	Cajas Boxes			Pallet				Cont./20'	Cont./20'
	Piezas	m ² sq. m	kg	Cajas	m ² sq. m	kg	Tamaño cm aprox.	m ² sq. m	m ² sq. m
90 * 90 * 1	2	1,62	40	22	35,64	829	105 * 95 * 75	837,44	934,82
45 * 90 * 1	2	0,81	19,8	36	29,16	737,8	100 * 100 * 59	849,74	948,55
60 * 60 * 1	3	1,08	24,11	36	38,88	892,96	120 * 80 * 75	936,12	1044,97
30 * 60 * 1	6	1,08	22,4	48	51,84	1100,2	120 * 80 * 75	1013,05	1130,85
9,9 * 60 * 1	13	0,77	16,45	64	49,28	1077,8	100 * 100 * 94	983,04	1097,35
45,6 * 45,6 * 0,8	5	1,04	18,8	66	68,64	1265,8	120 * 80 * 105	1165,87	1301,44
inch	Units	ft ²	lb	Boxes	ft ²	lb	Sizes inch approx.	ft ²	ft ²
35 7/16 * 35 7/16 * 3/8	2	17,43	80,18	22	383,62	1827,63	41 5/16 * 37 3/8 * 29 1/2	9014,12	10062,31
17 3/4 * 35 11/16 * 3/8	2	8,71	43,65	36	313,87	1626,57	39 3/8 * 39 3/8 * 23 1/4	9146,52	10210,10
23 5/8 * 23 5/8 * 3/8	3	11,62	53,15	36	418,50	1968,63	47 1/4 * 31 1/2 * 29 1/2	10076,31	11247,96
11 13/16 * 23 5/8 * 3/8	6	11,62	49,38	48	558	2425,52	47 1/4 * 31 1/2 * 29 1/2	10904,37	12172,36
3 7/8 * 23 7/8 * 3/8	13	8,28	36,26	64	530,44	2376,14	39 3/8 * 39 3/8 * 37	10581,35	11811,77
17 15/16 * 17 15/16 * 5/16	5	11,19	41,44	66	738,83	2790,61	47 1/4 * 31 1/2 * 41 5/16	12549,32	14008,58

(Los pesos aquí reflejados pueden sufrir ligeras variaciones en función del lote de producción. Weights shown here may slightly vary depending on the production lot.)