

48

Alsacia

Porcelain tiles

ALSACIA | ALSACIA-B_61,5*61,5 KEHL-B_30,7*61,5



ALSACIA | ALSACIA-B_60,7*60,7 COLMAR_60,7*60,7



ALSACIA | ALSACIA-G_61,5*61,5

ALSACIA G



ALSACIA N



ALSACIA B



KEHL G



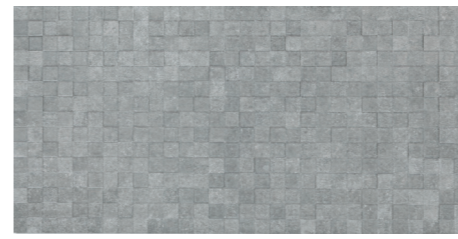
KEHL N



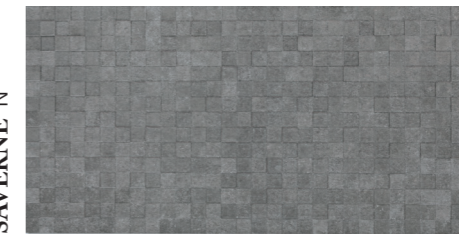
KEHL B



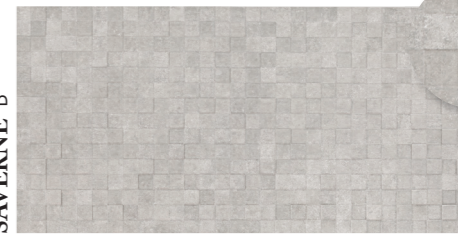
SAVERNE G



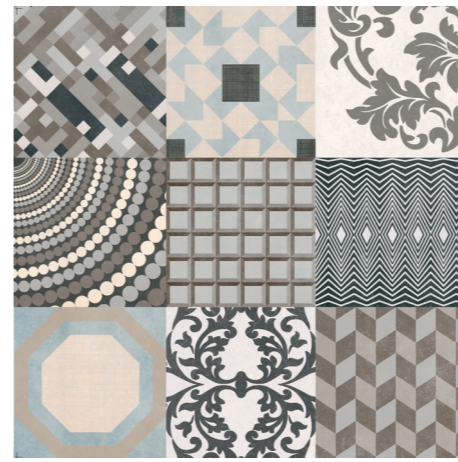
SAVERNE N



SAVERNE B



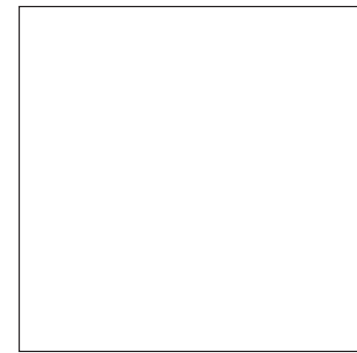
COLMAR



Alsacia

Porcelain tiles

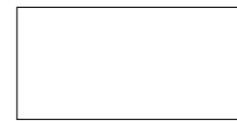
ALSACIA



7 patterns



7 patterns



14 patterns

90,7 * 90,7 * 1,2 cm | 35 11/16 * 35 11/16 * 1/2"

RECTIFIED	NATURAL PRICE CODE BN48	LAPADO PRICE CODE BN42
G	14517	14558
N	14518	14560
B	14519	14559

60,7 * 60,7 * 1 cm | 23 7/8 * 23 7/8 * 3/8"

RECTIFIED	NATURAL PRICE CODE BN33	LAPADO PRICE CODE BN38
G	16988	17930
N	16990	17583
B	16989	17929

30,2 * 60,7 * 1 cm | 11 7/8 * 23 7/8 * 3/8"

RECTIFIED	NATURAL PRICE CODE BN39
G	14502
N	14503
B	14504

91,5 * 91,5 * 1,2 cm | 35 11/16 * 35 11/16 * 1/2"

NO RECTIFIED	LAPADO PRICE CODE BN49
G	14511
N	14513
B	14512

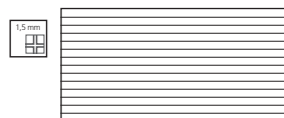
61,5 * 61,5 * 1 cm | 23 7/8 * 23 7/8 * 3/8"

NO RECTIFIED	NATURAL PRICE CODE BN28	ANTISLIP PRICE CODE BN77
G	16917	19415
N	16919	19022
B	16918	19416

30,7 * 61,5 * 1 cm | 11 7/8 * 23 7/8 * 3/8"

NO RECTIFIED	NATURAL PRICE CODE BN34
G	14407
N	14408
B	14404

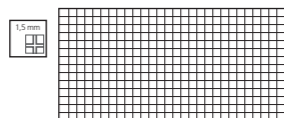
KEHL



30,7 * 61,5 * 1 cm | 11 7/8 * 23 7/8 * 3/8"

NO RECTIFIED	NATURAL PRICE CODE BN26
G	14635
N	14634
B	14633

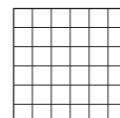
SAVERNE



30,7 * 61,5 * 1 cm | 11 7/8 * 23 7/8 * 3/8"

NO RECTIFIED	NATURAL PRICE CODE BN26
G	14678
N	14679
B	14680

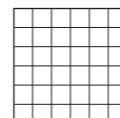
D. SELESTAT



30 * 30 | 11 13/16 * 11 13/16"

NO RECTIFIED	NATURAL PRICE CODE P49
G	14460
N	14461
B	14459

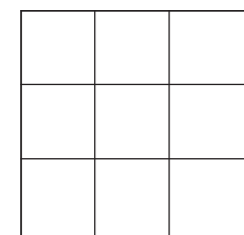
D. NANCY



30 * 30 | 11 13/16 * 11 13/16"

NO RECTIFIED	NATURAL PRICE CODE P49
MIX	14444

COLMAR

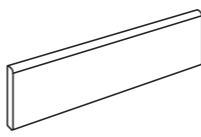
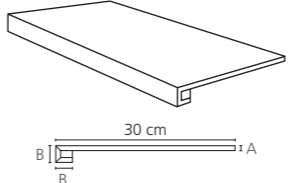
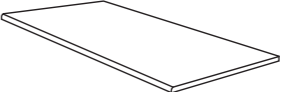



4 patterns

60,7 * 60,7 * 1 cm | 23 7/8 * 23 7/8 * 3/8"

RECTIFIED	NATURAL PRICE CODE BN40	LAPADO PRICE CODE BN83
COLMAR	16706	16707

PIEZA COMPLEMENTARIA | COMPLEMENTARY PIECE

Rodapie - Skirting	Peldaño técnico - Technical stair - thread	Peldaño romo - Rounded stair - thread	*S.K.I. *S.K.D. *Z.R.I. *Z.R.D.
 R.	 P.	 R.P.	
8 * 90,7 cm 3 1/8 * 35 11/16" P44 8 * 91,5 cm 3 1/8 * 36" P41 8 * 60,7 cm 3 1/8 * 23 7/8" P34 8 * 61,5 cm 3 1/8 * 24 3/16" P31	30 * 90,7 cm 3 1/8 * 35 11/16" P76 30 * 91,5 cm 3 1/8 * 36" P70 A= 1,2 cm B= 3,6 cm A= 1/2" B= 1 7/16" 30 * 60,7 cm 3 1/8 * 23 7/8" P54 30 * 61,5 cm 3 1/8 * 24 3/16" P54 A= 1 cm B= 3 cm A= 3/8" B= 1 3/16"	30 * 90,7 cm 3 1/8 * 35 11/16" P61 30 * 91,5 cm 3 1/8 * 36" P71 30 * 60,7 cm 3 1/8 * 23 7/8" P64 30 * 61,5 cm 3 1/8 * 24 3/16" P64	8 * 30 cm 3 1/8 * 11 13/16" P55 8 * 30 cm 3 1/8 * 11 13/16" P53









CARACTERÍSTICAS TÉCNICAS ANTIDESLIZAMIENTO | ANTI-SLIP CHARACTERISTICS

Ensayo Essay	Características Features	Resultado Result			
		NATURAL	LAPADO	ANTISLIP	KEHL SAVERNE
DIN 51130	Ángulo crítico (Pies calzados) Critical angle (footwear)	R9	-	R12	R12
DIN 51097	Ángulo crítico (Pies descalzos) Critical angle (Wet loaded barefoot)	-	-	A+B+C	A+B+C
BS-7976-2	Antideslizamiento (Test del péndulo) Slip resistance (Pendulum test)	+20-25Wet	+ 20 Wet	+36Wet	+36Wet
UNE-ENV-12633	Antideslizamiento (Test del péndulo) Slip resistance (Pendulum test)	Class 1	Class 1	Class 3	Class 3
ANSI A137.1	Coefficiente de Fricción Dinámico Dynamic Coefficient of Friction	-	-	-	>0,42
ISO 10545-7	Resistencia a la Abrasión Superficial/ Resistance to Surface Abrasion	PEI 4			

APLICACIONES | APPLICATIONS

Área Area	Revestimiento Wall				Pavimento Floor			
	NATURAL	LAPADO	ANTISLIP	KEHL SAVERNE	NATURAL	LAPADO	ANTISLIP	KEHL SAVERNE
Interior Internal	✓	✓	✓	✓	✓	✓	✓	✓
Exterior External	✓	✓	✓	✓	✓	✓	✓	✓
Comercial Commercial	✓	✓	✓	✓	-	-	✓	✓
Ducha Shower	✓	✓	✓	✓	-	-	✓	✓

CARACTERÍSTICAS TÉCNICAS | TECHNICAL CHARACTERISTICS

joint 	frost proof 	versatile 
diferent shades 	shade variation 	various graphics 
matt 		* gloss 

* acabado lapado | lapado finish

EMBALAJE | PACKING

Formato Sizes	Cajas Boxes			Pallet			Cont./20' 21500 kg.	Cont./20' 24000 kg.	
	Piezas	m ² / sq.m	kg	Cajas	m ² / sq.m	kg			Tamaño cm aprox.
90,7 * 90,7 * 1,2	1	0,82	21,76	36	29,52	808,36	105 * 95 * 75	785,15	876,44
91,5 * 91,5 * 1,2	1	0,84	22,45	36	30,14	833,20	105 * 95 * 75	777,74	868,17
60,7 * 60,7 * 1	3	1,11	24,11	36	39,79	892,96	120 * 80 * 75	958,09	1069,50
61,5 * 61,5 * 1	3	1,13	25,13	36	40,85	929,68	120 * 80 * 77	944,67	1054,51
30,2 * 60,7 * 1	5	0,92	18,95	48	44,00	934,60	120 * 80 * 76	1012,09	1129,78
30,7 * 61,5 * 1	5	0,94	19,65	48	45,31	968,20	120 * 80 * 77	1006,23	1123,24
inch	Units	ft ²	lb	Boxes	ft ²	lb	Sizes inch approx.	ft ²	ft ²
35 11/16 * 35 11/16 * 1/2	1	8,83	47,87	36	317,75	1778,39	42 5/16 * 37 3/8 * 29 1/2	8451,22	9433,93
36 * 36 * 1/2	1	9,01	49,39	36	324,43	1833,04	41 5/16 * 37 3/8 * 29 1/2	8371,51	9344,94
23 7/8 * 23 7/8 * 3/8	3	11,90	53,04	36	428,32	1964,51	47 1/4 * 31 1/2 * 29 1/2	10312,82	11511,98
24 3/16 * 24 3/16 * 3/8	3	12,21	55,29	36	439,69	2045,30	47 1/4 * 31 1/2 * 30 5/16	10168,31	11350,67
11 7/8 * 23 7/8 * 3/8	5	9,87	41,69	48	473,56	2056,12	47 1/4 * 31 1/2 * 29 15/16	10894,05	12160,80
12 1/16 * 24 3/16 * 3/8	5	10,16	43,23	48	487,75	2130,04	47 1/4 * 31 1/2 * 30 5/16	10830,98	12090,40