

pro-light

pro-light is a high-quality recessed lighting profile manufactured in anodized aluminum. It is specially designed for installing on ceramic tile. The light is provided by LED strips glued in a U shape to the profile in combination with a diffuser cover. Depending on the positioning of the profile, we can achieve different direct or indirect lighting effects.

Recommended use

- Wall and floor tiles.
- LED strips: dry indoors (IP20). Presence of moisture and outdoors (IP67).

Features

- Profile manufactured in high quality anodized aluminum.
- Uniform LED lighting.
- IP20 and IP67 protection level.
- Pre-assembled and ready to install.
- Easy installation of the profiles with mounting adhesive.

Elements*

- Anodized aluminum profile 2.5 m
- Polycarbonate diffuser cover
- 2.5 m Flexible LED strip. 240 Leds/m
- MEAN WELL power supply. Voltage output DC: 12/24 V. Power: 100.8 W

*All elements can be supplied separately.

Instructions for use

- Lay the tile with the thin-bed method, with adhesive and a notched trowel up to the required height.
- Drill the profile for inserting the power cord.
- Install the profile with **p-404** polyurethane adhesive. Apply on the back of the profile
- Level the profile with the tile. Do not leave the profile above the tile level.
- As a general rule, we recommend leaving a 1 mm joint between the profile and the tile. In stable substrates with no movement risk, a minimum joint can be used.
- Before sealing the tiling joints, check that the grouting material chosen does not scratch nor chemically alters the profile surface. If it does, cover the profile with protective tape.
- Fill completely the joint between tile and profile with grouting material. Never let the grouting material harden on the profile.

Never use metallic tools or abrasive elements which can scratch the profile surface.

Cut the profile with a hand saw or with a circular saw with a suitable disc.

The LED strips can be installed before or after installing the profile on the wall, depending on the necessary requirements. The strips are therefore auto-adhesive for an easy installation on the profile. Flexible strips shall be treated with care, as being flexible does not prevent the internal circuit from being damaged if they are continuously bent.

Place a transformer per every two LED strips; provide space for its installation.

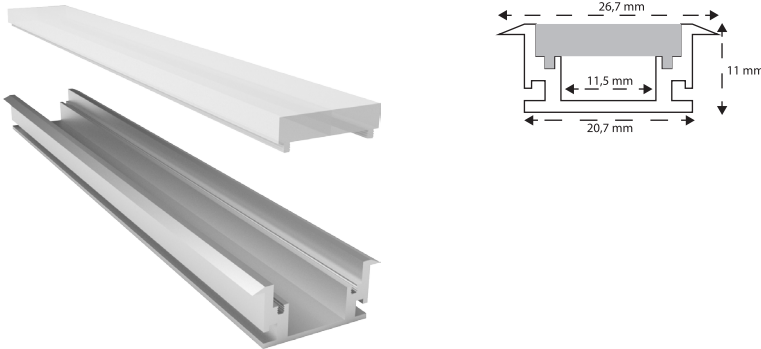
Cleaning and maintenance

- These profiles do not need cleaning and maintenance different from the tiles in which they are installed.
- Use neutral cleaning products. Do not use products containing hydrochloric or hydrofluoric acid. In any case, we recommend you perform a previous test before use.
- Do not use abrasive or metallic elements which can scratch the profile surface.

Technical Sheet Conditions

- This is not a finished product technical sheet. It belongs to a product which, together with others, is the base of a ceramic tile laying system with which professionals perform their job. Instructions in this technical sheet have been written based on our experience and technical expertise, but they have to be considered as general recommendations, which together with those for the rest of the products in the system, help the professionals in their job.
- As it is not possible to know all the features and conditions of a building job, professionals must consider it and, if deemed appropriate, perform a previous test to confirm whether the product is suitable for the job. Specially recommended in applications which imply mechanical stresses or chemical reactions not described in this technical sheet.
- The technical sheet cannot reflect all the applications and conditions entailed in the use of a material, so, in situations not described in this sheet, we recommend to perform a previous test and refer to our technical department.
- This sheet has been updated in February, 2017.

pro-light Profile



- Measurement: 2.5 m
- Manufactured with 95-98% aluminium (treatment T5)
- 15 micron anodized
- Diffuser cover manufactured with polycarbonate.
- IP65

Transformer



- Constant voltage design
- AC universal inlet / full range
- Completely encapsulated with level IP67
- Resistance to 300 V AC overvoltage for 5 seconds
- Protections: short circuit / overload / over voltage
- Resistance to 300 V CA overvoltage for 5 seconds
- Fully insulated plastic housing
- Cooling by free air convection
- 100% burn-test at full load
- Low cost, high reliability
- Suitable for use with LED lighting and mobile signs

	IP20 TRANSFORMER	IP67 TRANSFORMER
Direct Current	12 V	24 V
Nominal current	8.5 A	4.2 A
Current range	0 ~ 8.5 A	0 ~ 4.2 A
Rated output	102 W	100.8 W

LED Strip



Product	Flexible strip IP20	Flexible strip IP67
LED type	2216 SMD	3528 SMD
Number of LEDs	240 Leds/m	240 Leds/m
Watertightness	IP20	IP67 DUO
Power	20 W/m	20 W/m
Working voltage	12 V	24 V
Working temperature	-20°/+40 °C	-20°/+40 °C
Emission angle	120°	120°
Control	Controllable with dimmer	Controllable with dimmer
Dimensions	5000x10x1.2 mm	500x10x4 mm
Maximum daily work	20 h	20 h
Estimated life	30,000 h	30,000 h
Attachment	Double-sided tape	Double-sided tape
Packaging	2.5 m Rolls	2.5 m Rolls
Use	Indoors	Indoor and outdoor

References

KEA	SAP	
B73141328	100160505	IP20 20W pro-light kit (profile+LED)
B73141331	100160503	IP67 20W pro-light kit (profile+LED)
B72141363	100202237	11 mm silver anodized aluminum pro-light
B72141362	100201363	IP20 12 V transformer*
B72141360	100200310	IP67 24 V transformer*

* Request a transformer for every 2 **pro-light** profiles.